



Retractable Barrier

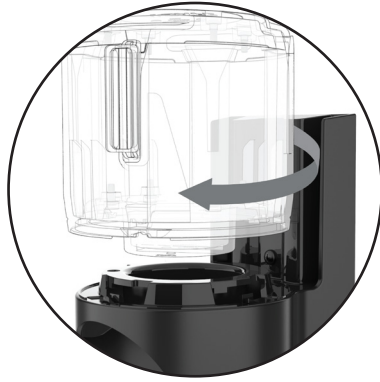
The Retractable Barrier provide a dependable solution for restricting access and improving on-site safety. Designed for use between A-SAFE barriers, walls, or a combination of both, these kits can be adapted to suit a wide range of environments

From walkways and machinery zones to loading bays and maintenance areas. With a consistent, professional appearance and a trusted retracting mechanism, these kits are ideal for creating clear, controlled boundaries in dynamic industrial areas.





Suitable for a wide range of temporary or semi-permanent access control needs across different areas of a facility.



Easy installation
Drop and twist the retractable tape into place for a secure fitting to the bracket.



Multiple units can be linked together to span longer distances or cover larger access points.

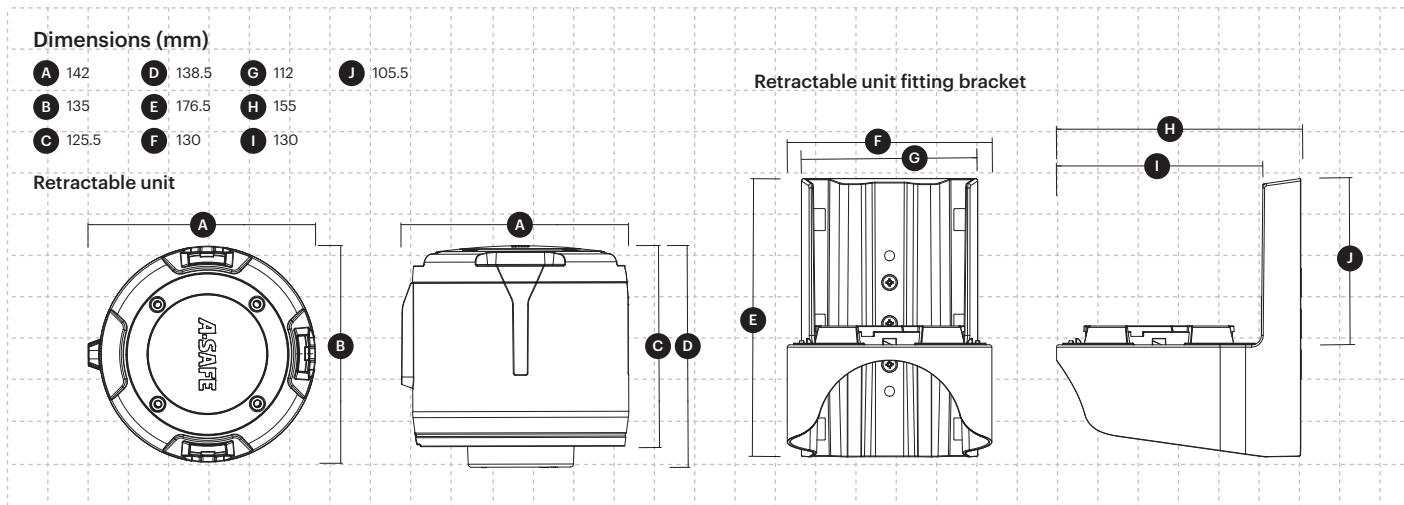


High quality tape webbing ensures a smooth retraction, eliminating tangling and reduces sag.



Built to perform in demanding environments, offering durability and dependable performance over time.

Technical Information



Please note: The Retractable Barrier webbing will sag when pulled out to the following widths. (Sag measurements are approximate).

Total webbing width	Amount of sag
3m	25mm
4.5m	70mm
5m	80mm
7m	130mm
9m	150mm

